

ROLLEASE ACMEDA Veue & Zipscreen

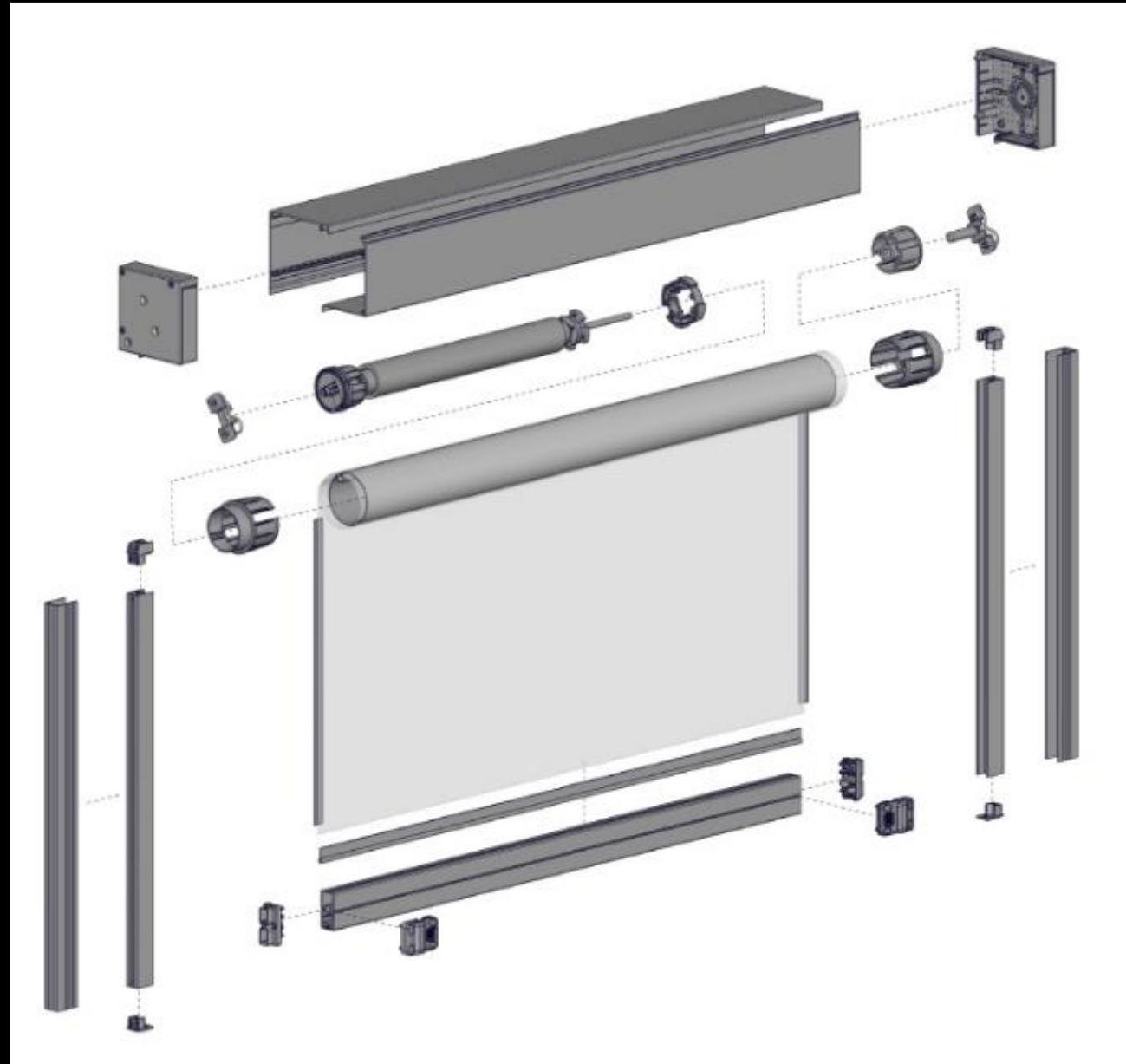
9 February 2017



DROP AWN



Straight Drop



ZIPSCREEN



Zipscreen

APPLICATIONS

THE RANGE SEAMLESSLY INTEGRATES INDOOR & OUTDOOR LIVING AREAS



Patio Areas & Pergolas



Verandas



Cafes



Commercial applications



Indoor / Outdoor
Entertainment Areas



External Window Blinds

BENEFITS



Protection from elements
Sun, UV Rays, Rain



Protection from
Insects



Wind resistant (Zip)



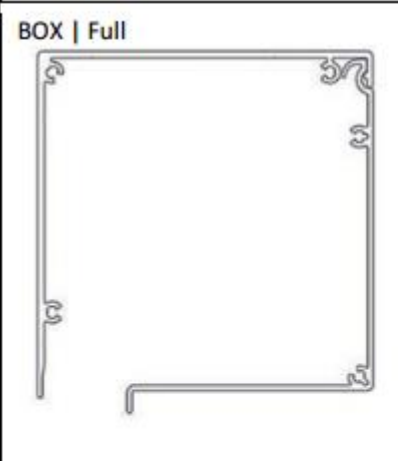
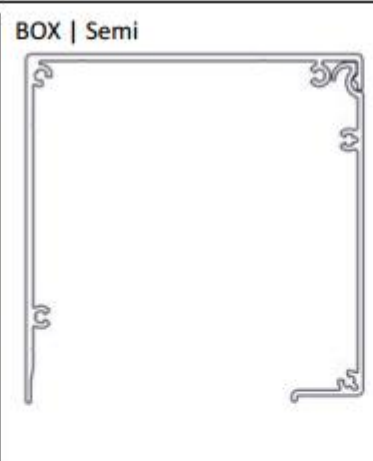


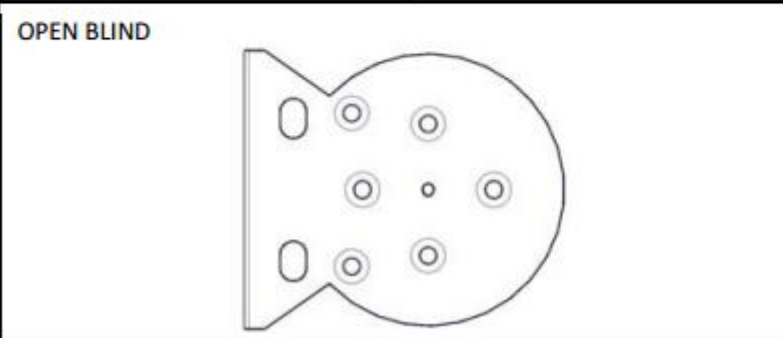
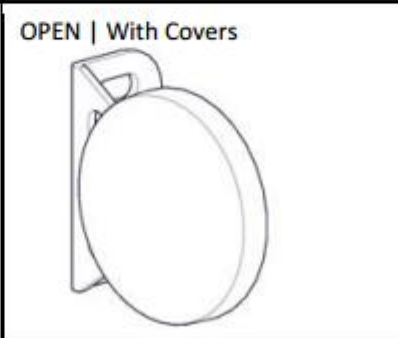

Privacy



Custom Colour

- Maintain external views
- Easy to use
- Energy efficient
- Contemporary design

KEY SYSTEM FEATURES

INSTALLATION OPTIONS			
BOX Full 	BOX Semi 	FASCIA Full 	FASCIA Semi 
OPEN BLIND 	OPEN With Covers 	OPEN Without Cover 	

CONTROLS



Motor



Crank



Spring

CONTROLS RANGE

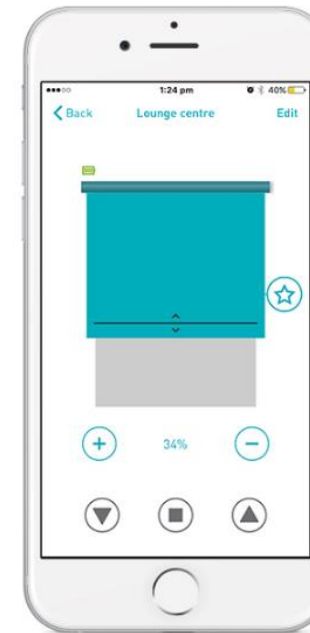
Motion Sensor

- Can be easily mounted to the underside of the terminal bar for open awnings or the inside of cassette awning covers
- Economical solution to protect your awning
- Battery operated
- Provides 9 levels of motion sensitivity
- Slim and compact design



Automate Pulse

- Control all your blinds from your phone
- Locally or anywhere in the world
- Set-up wizard
- Replaces Remotes
- Integrates with third party systems



CONTROLS RANGE

Paradigm Remote

- One channel or 15 Channels
- Contemporary design
- Slimline magnetic wall mount
- Levelling Control



Wind & Sun sensor

- Detects wind speed and retracts the awnings to avoid damage (3 wind speed grades)
- Open/close the awning according the sun light intensity (4 sun light grades)
- Light function can be deactivated
- Radio frequency control (up to 20 motors)



WHAT IS ZIPSCREEN?



- The ultimate external screening solution for any outdoor area or window
- Side Fastening System
- Fabric secured within side guide
- Concealed Zip

SIMPLE & ELEGANT DESIGN

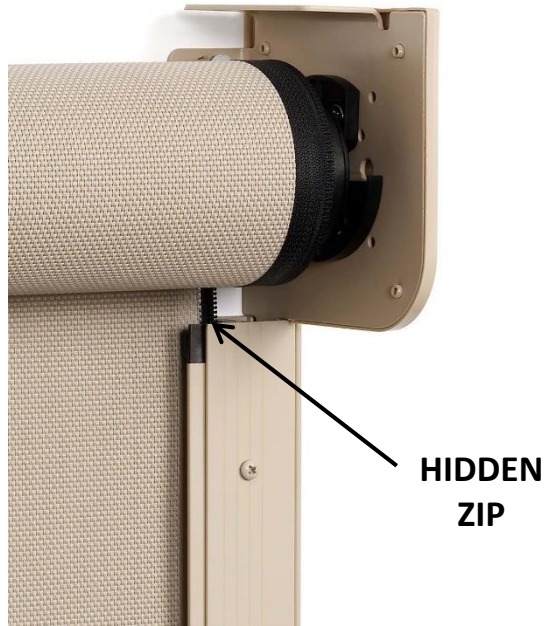


ZIPSCREEN



COMPETITORS

KEY SYSTEM FEATURES

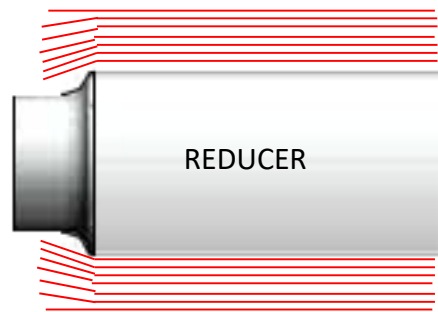


ZIPSCREEN

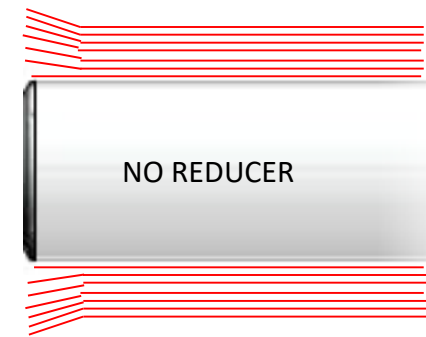


OTHER COMPETITORS

REDUCERS



ZIPSCREEN



COMPETITORS

KEY SYSTEM FEATURES

The features designed into Zipscreen prevent rippling and waves throughout fabric for a better finish.



ZIPSCREEN



COMPETITORS

FT MOTOR FOR ZIPSCREEN & WIRE GUIDE SYSTEMS



- Remote control
- Electronic limits
- 15 Nm capacity
- Collision Control
- Favourite position
- Ultra Lock Setting
- Fabric Tensioning Mode



ZIPSCREEN EXTREME | 7m SPAN | 35m²



WIREGUIDE EXTREME

Motor

- 7.8m span
- 10m drop

Gear

- 6.6m
- 10m drop



THANK YOU

